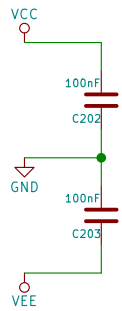
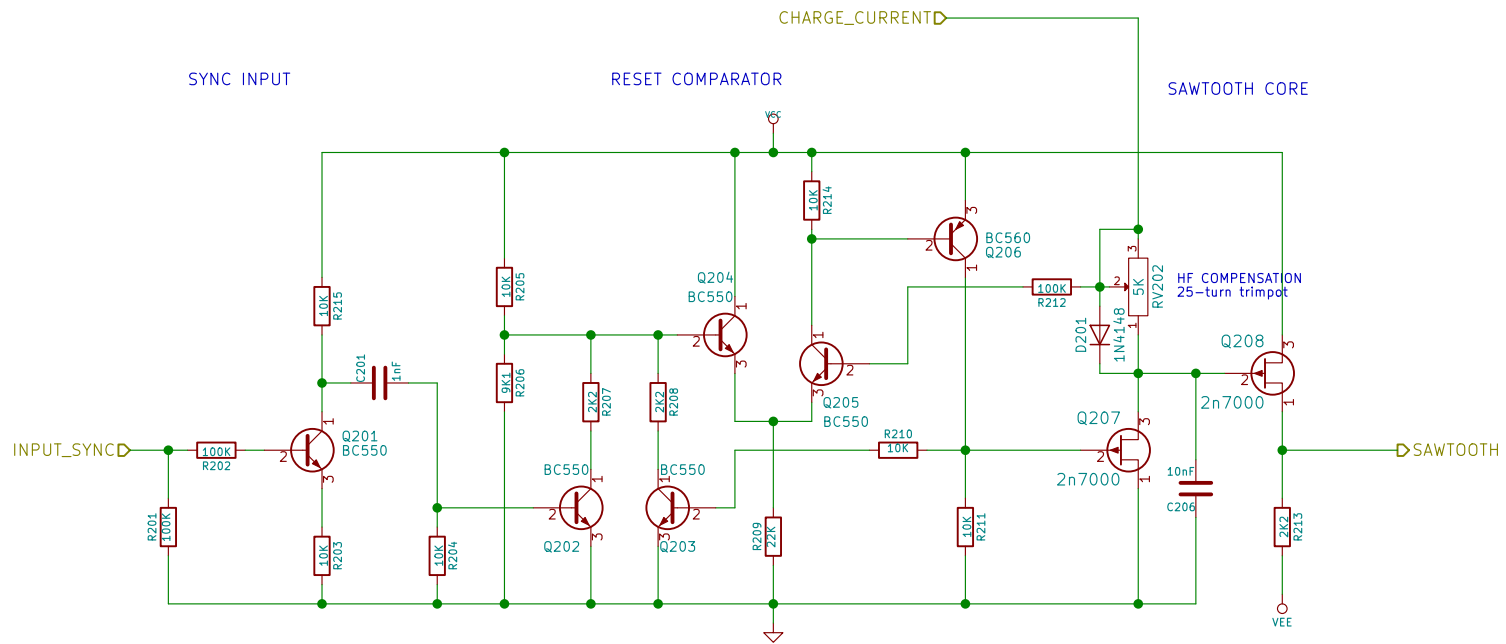


Sheet: /		File: 1011_Oscillator.sch	
Title:			
Size: A4	Date: 2017-06-10	Rev: v1.0	
KiCad E.D.A. eeschema 4.0.7		Id: 1/6	

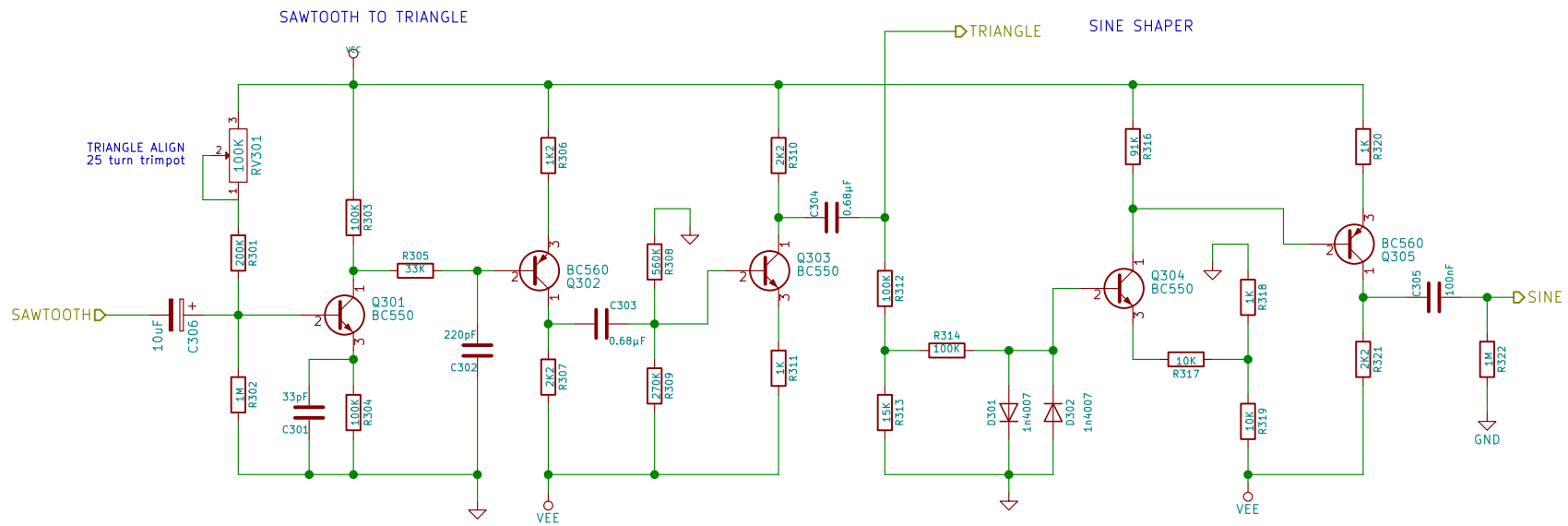


Sheet: /1011_2_SawtoothCore/
 File: 1011_2_SawtoothCore.sch

Title:

Size: A4 Date: 9 jan 2016
 KiCad E.D.A. eeschema 4.0.7

Rev:
 Id: 2/6

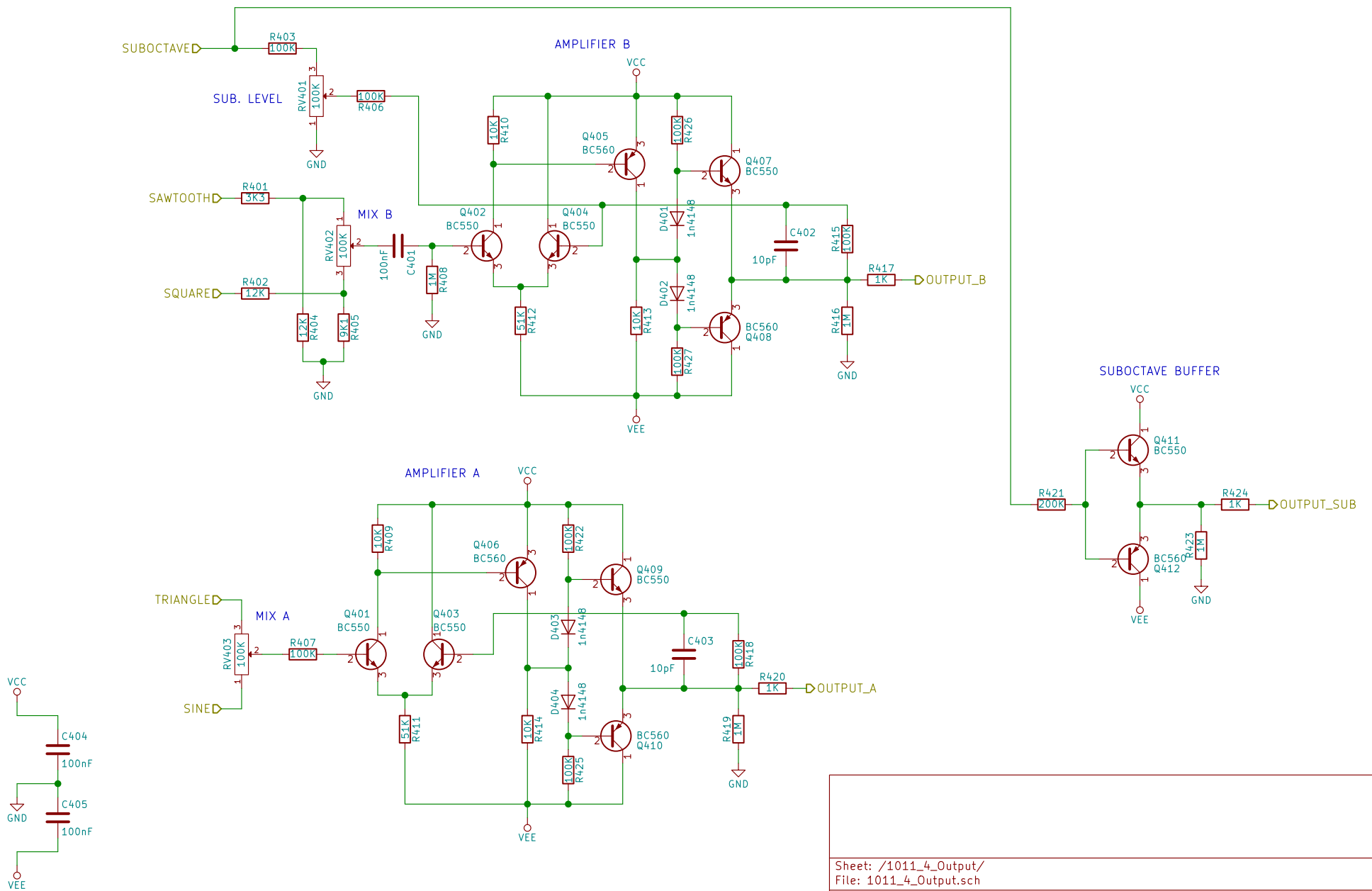


Sheet: /1011_3_Shapers/
 File: 1011_3_Shapers.sch

Title:

Size: A4 Date: 9 jan 2016
 KiCad E.D.A. eeschema 4.0.7

Rev:
 Id: 3/6

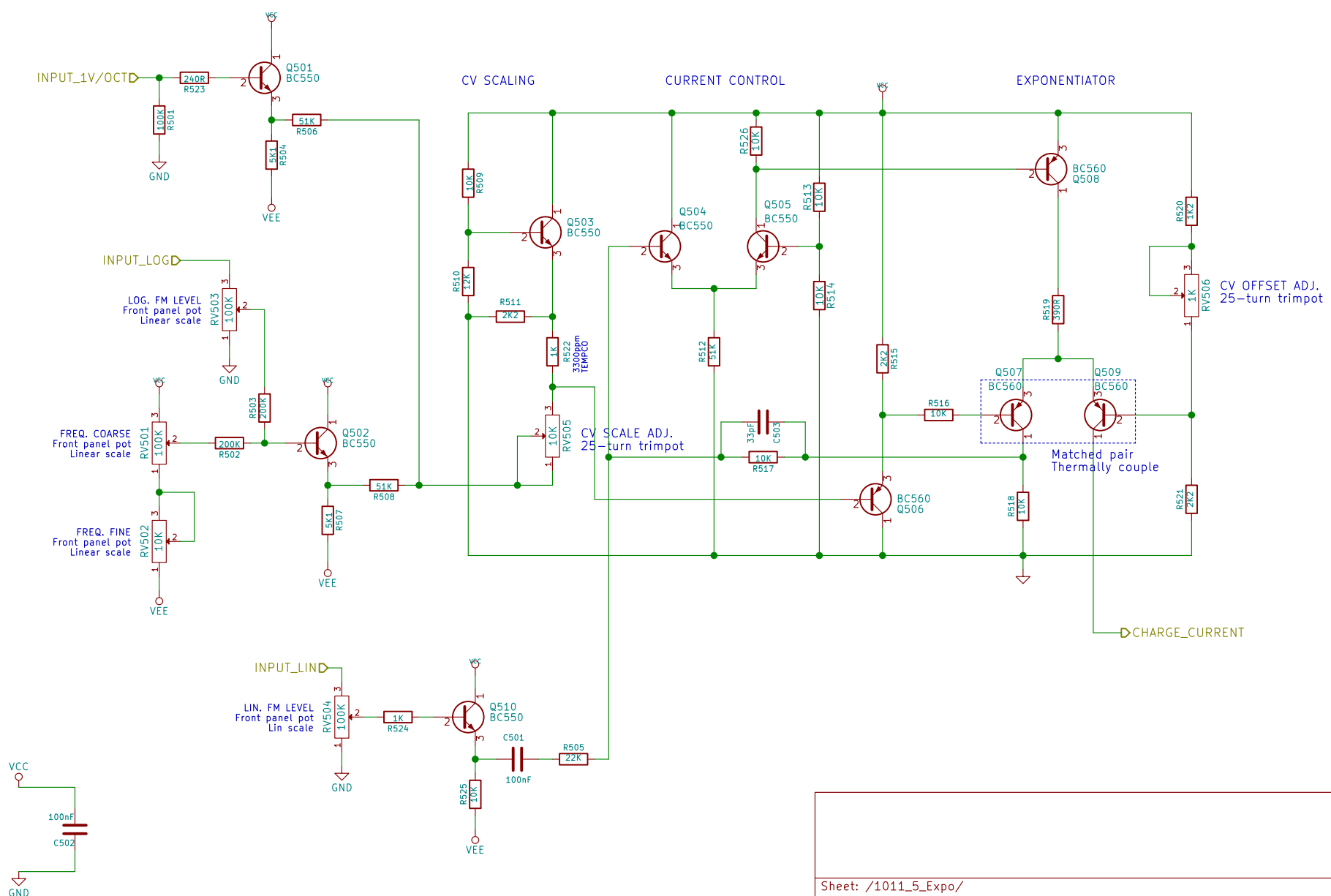


Sheet: /1011_4_Output/
File: 1011_4_Output.sch

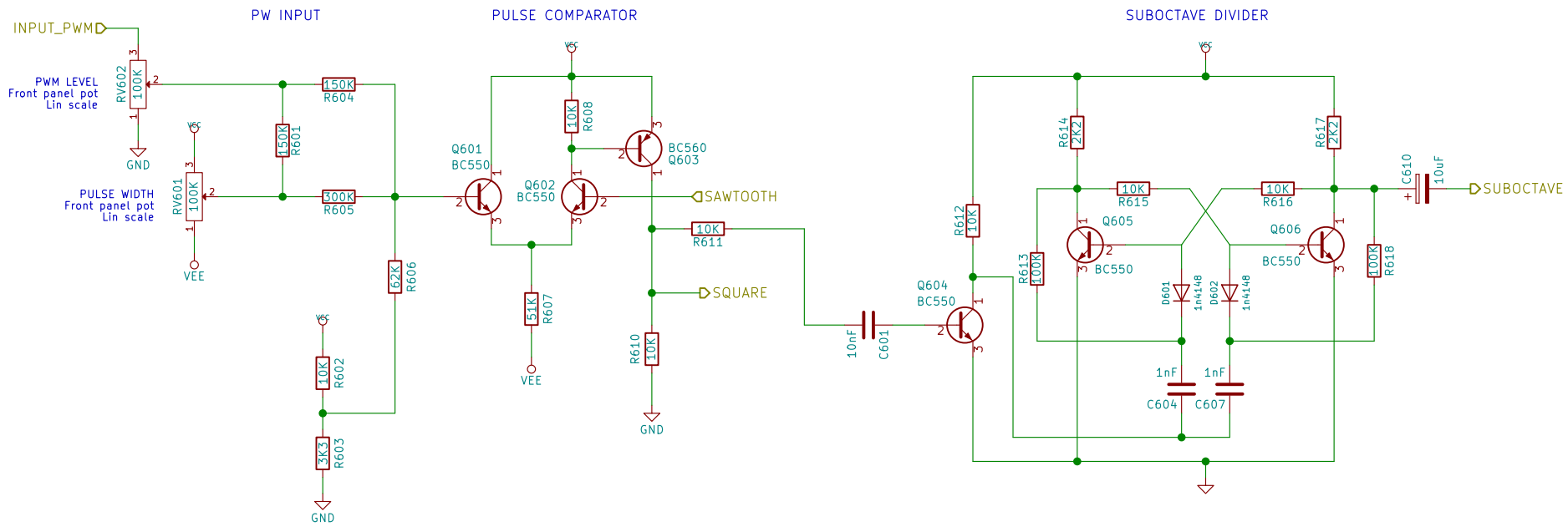
Title:

Size: A4 Date: 9 jan 2016
KiCad E.D.A. eeschema 4.0.7

Rev:
Id: 4/6



Sheet: /1011_5_Expo/		File: 1011_5_Expo.sch	
Title:			
Size: A4	Date:		Rev:
KiCad E.D.A. eeschema 4.0.7			Id: 5/6



Sheet: /1011_6_PulseShaper/	
File: 1011_6_PulseShaper.sch	
Title:	
Size: A4	Date:
KiCad E.D.A. eeschema 4.0.7	Rev:
	Id: 6/6