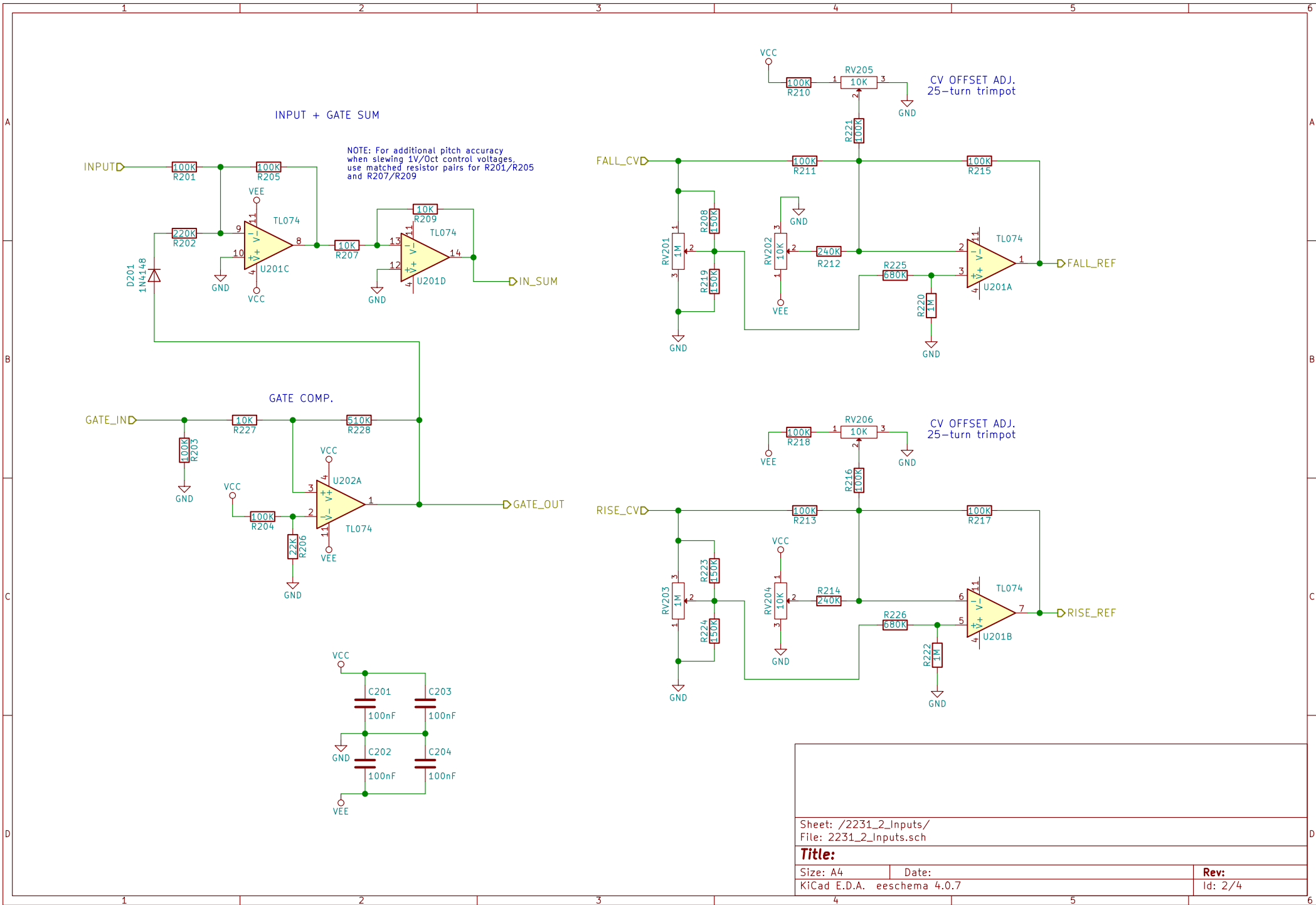


Sheet: /		
File: 2231_Asymetric_Slew_Limiter.sch		
Title:		
Size: A4	Date:	Rev:
KiCad E.D.A. eeschema 4.0.7		Id: 1/4

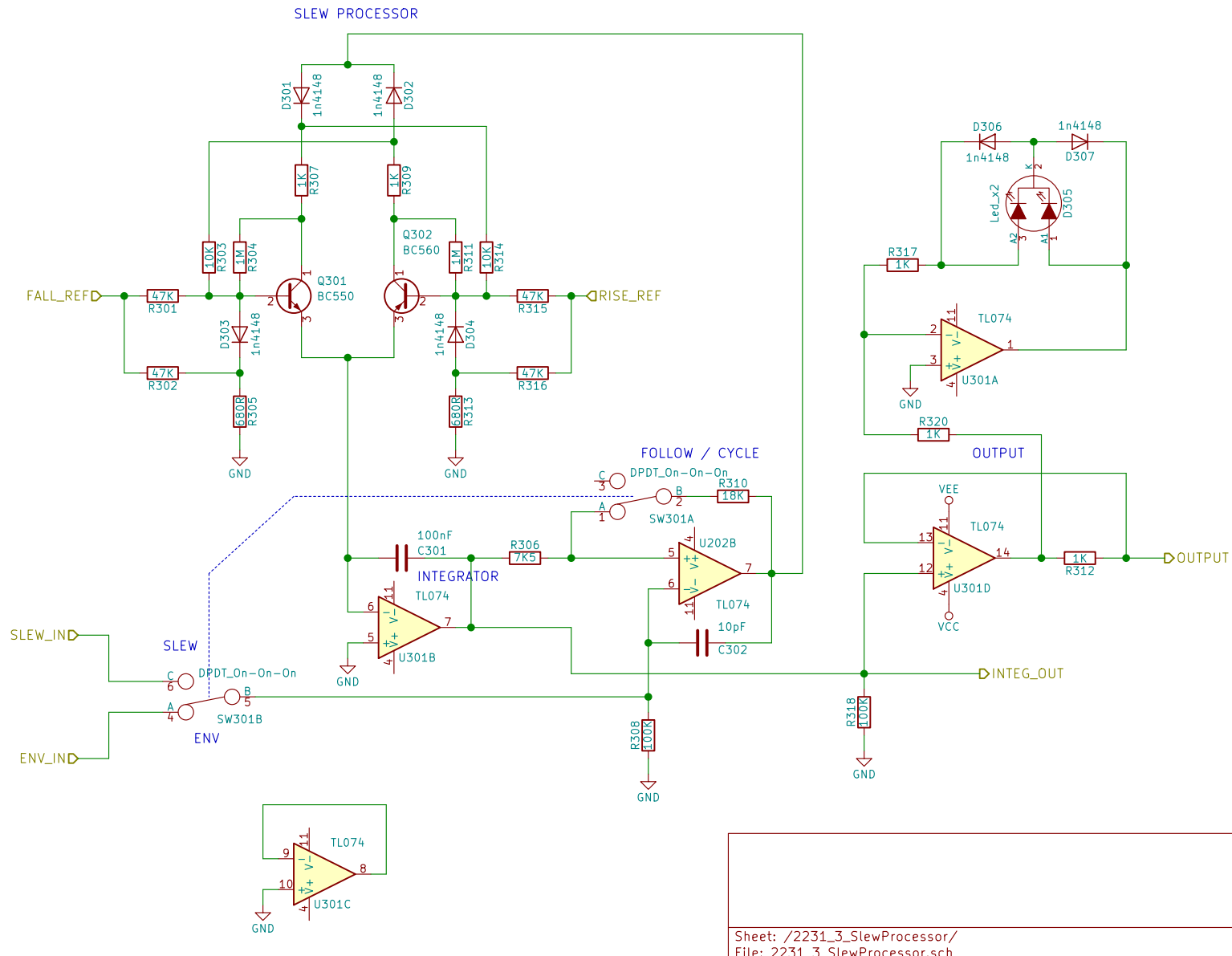


Sheet: /2231_2_Inputs/
 File: 2231_2_Inputs.sch

Title:

Size: A4 Date:
 KiCad E.D.A. eeschema 4.0.7

Rev:
 Id: 2/4

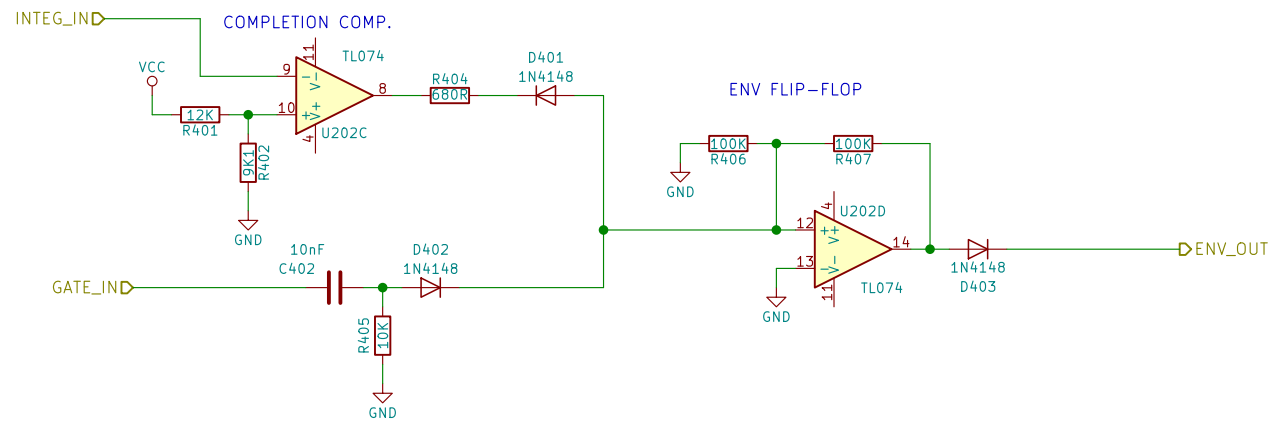


Sheet: /2231_3_SlewProcessor/
 File: 2231_3_SlewProcessor.sch

Title:

Size: A4 Date:
 KiCad E.D.A. eeschema 4.0.7

Rev:
 Id: 3/4



Sheet: /2231_4_Env/
 File: 2231_4_Env.sch

Title:

Size: A4
 KiCad E.D.A. eeschema 4.0.7

Date:

Rev:
 Id: 4/4