

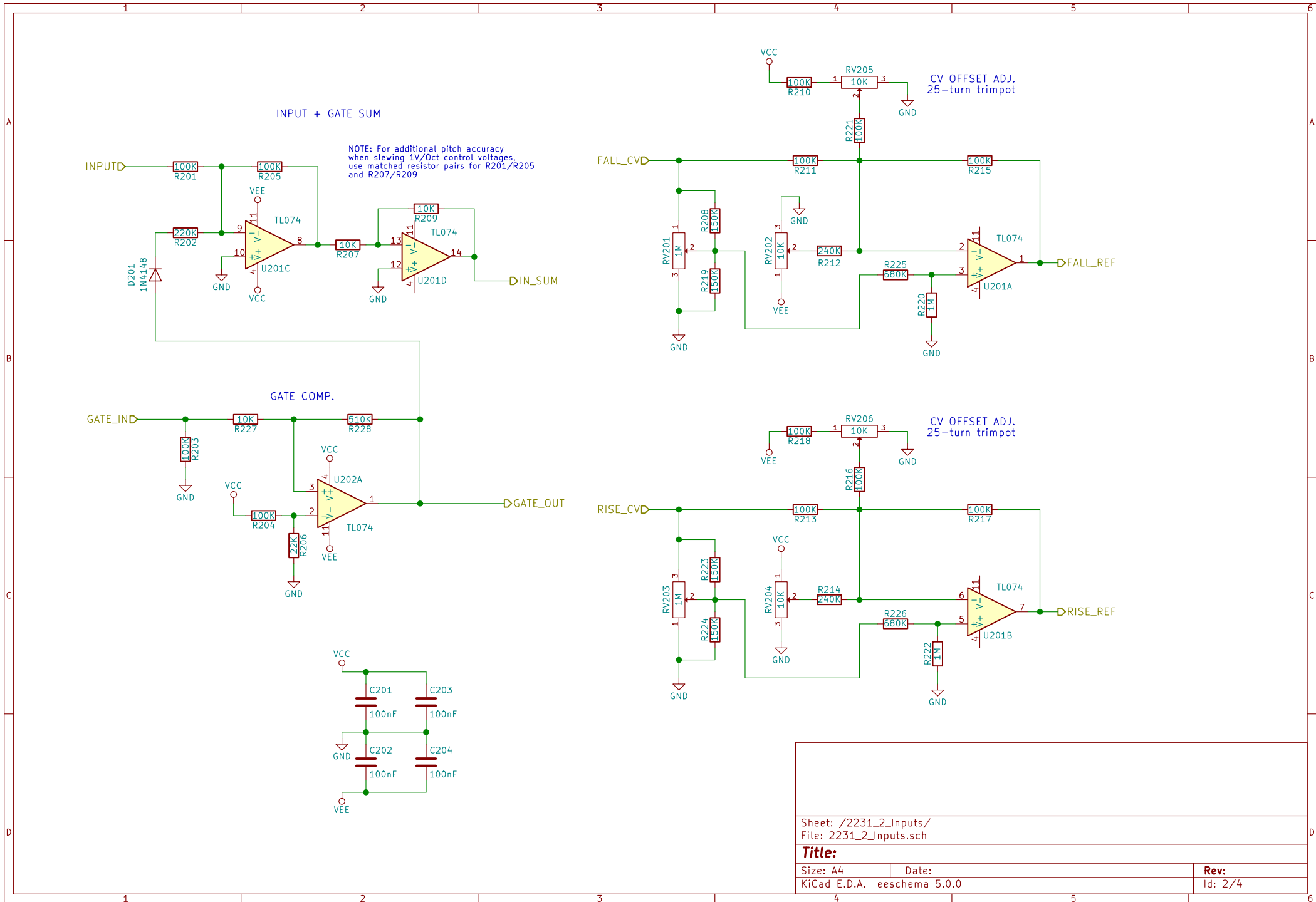
Sheet: /
 File: 2231_Asymetric_Slew_Limiter.sch

Title:

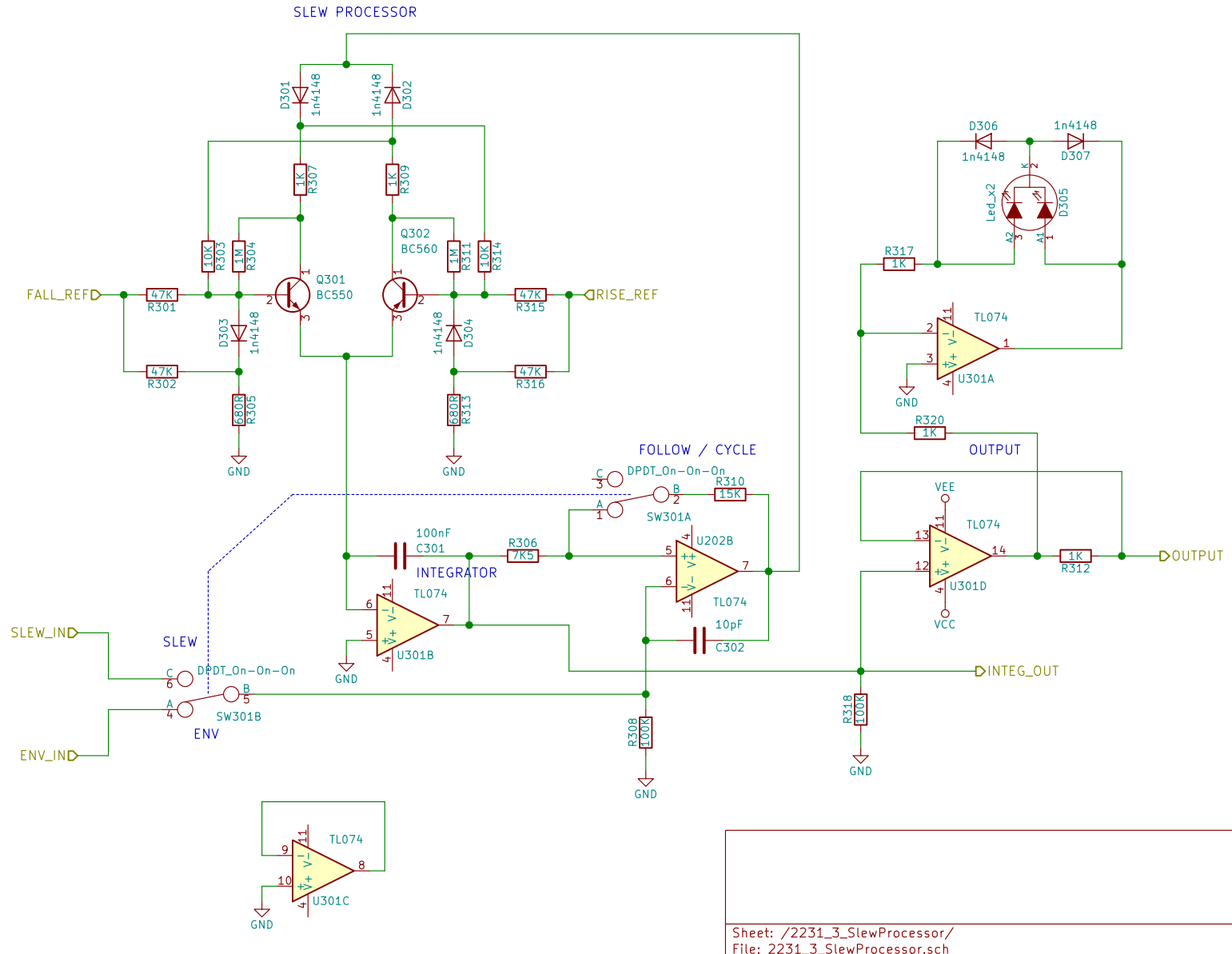
Size: A4
 KiCad E.D.A. eeschema 5.0.0

Date:

Rev:
 Id: 1/4



Sheet: /2231_2_Inputs/	
File: 2231_2_Inputs.sch	
Title:	
Size: A4	Date:
KiCad E.D.A. eeschema 5.0.0	Rev: Id: 2/4

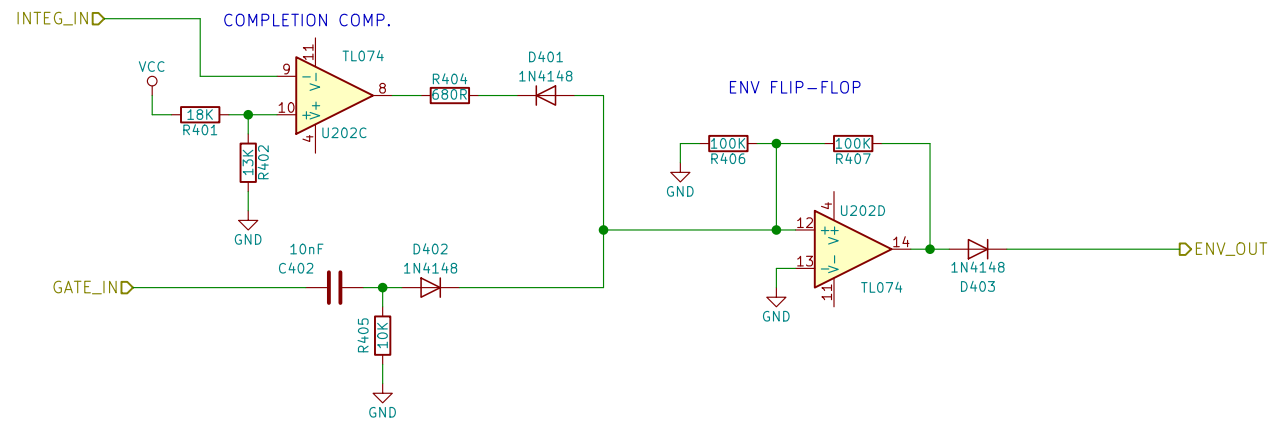


Sheet: /2231_3_SlewProcessor/
 File: 2231_3_SlewProcessor.sch

Title:

Size: A4 Date:
 KiCad E.D.A. eeschema 5.0.0

Rev:
 Id: 3/4



Sheet: /2231_4_Env/
 File: 2231_4_Env.sch

Title:

Size: A4
 KiCad E.D.A. eeschema 5.0.0

Date:

Rev:
 Id: 4/4