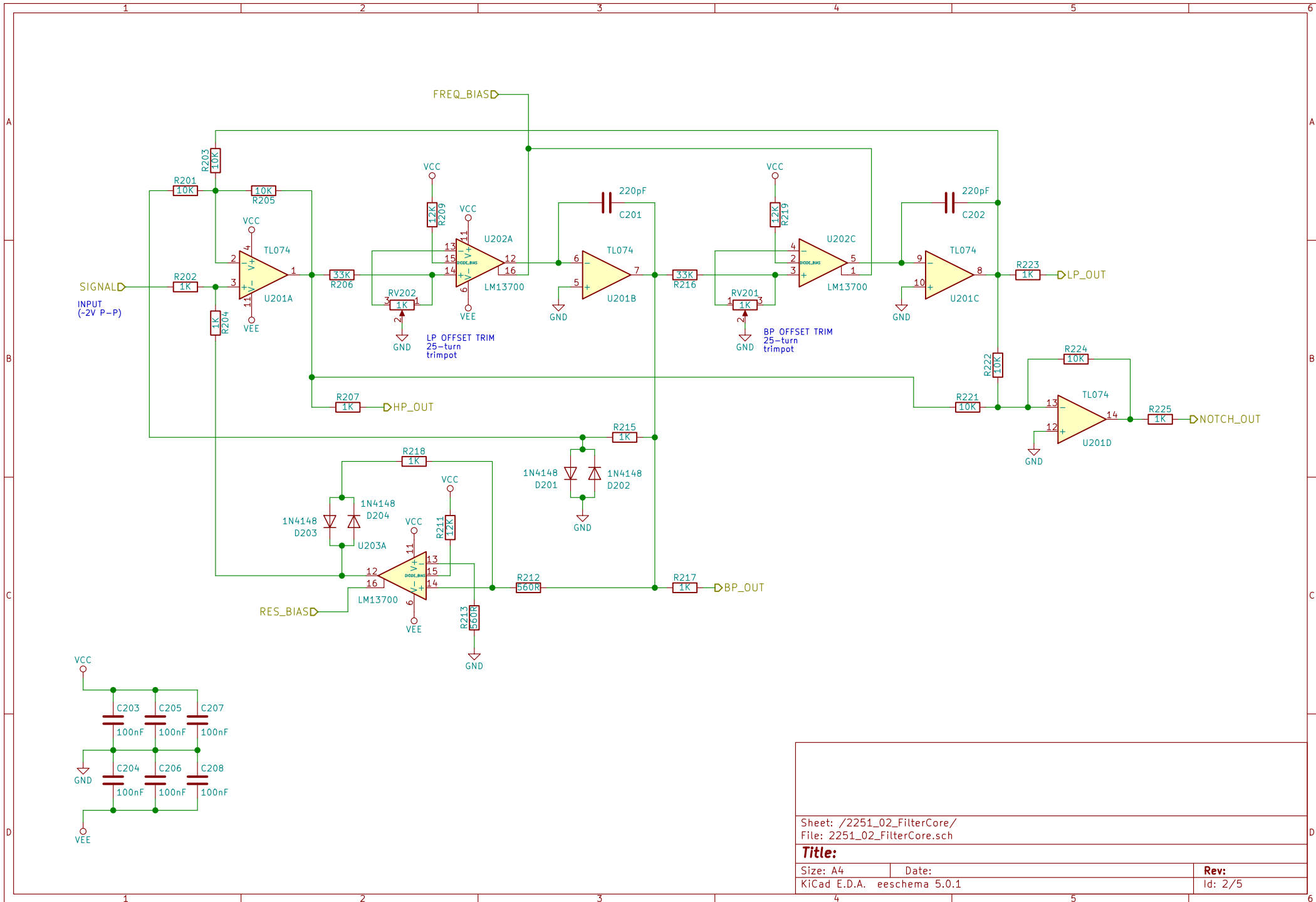


Sheet: /	
File: 2251_Multiband_Filter.sch	
Title:	
Size: A4	Date:
KiCad E.D.A. eeschema 5.0.1	Rev: Id: 1/5

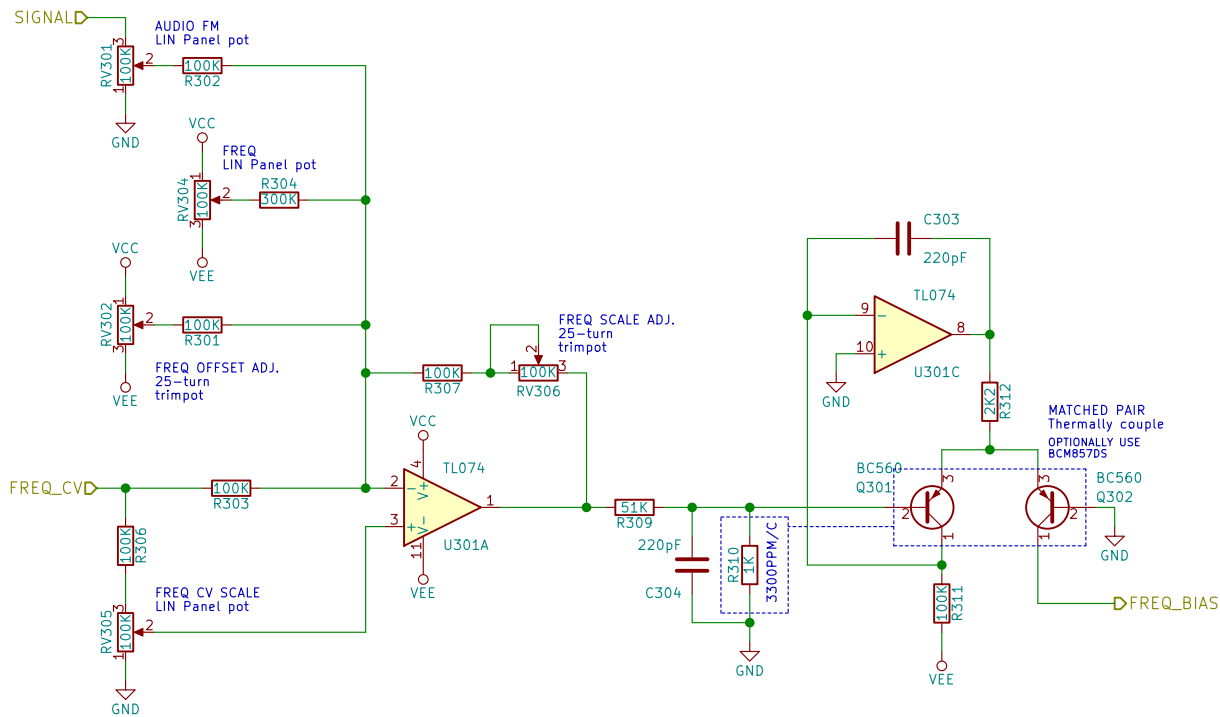


Sheet: /2251_02_FilterCore/
 File: 2251_02_FilterCore.sch

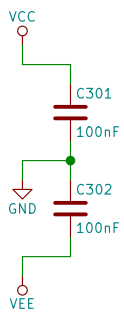
Title:

Size: A4 Date:
 KiCad E.D.A. eeschema 5.0.1

Rev:
 Id: 2/5



NOTE:
 If accurate pitch tracking is not required,
 a standard 1K resistor may be used for
 R310, and unmatched transistors fitted
 in Q301 / Q302. In this arrangement
 thermal coupling is not required.



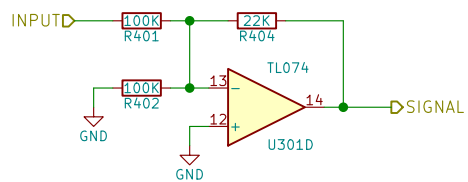
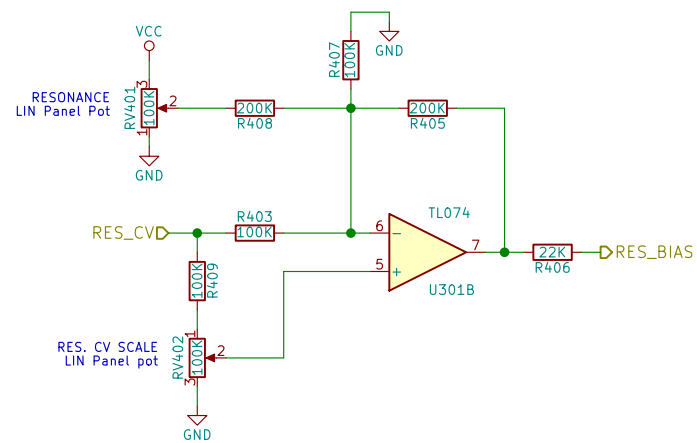
Sheet: /2251_03_Expo/
 File: 2251_03_Expo.sch

Title:

Size: A4
 KiCad E.D.A. eeschema 5.0.1

Date:

Rev:
 Id: 3/5



Sheet: /2251_04_inputs/
 File: 2251_04_inputs.sch

Title:

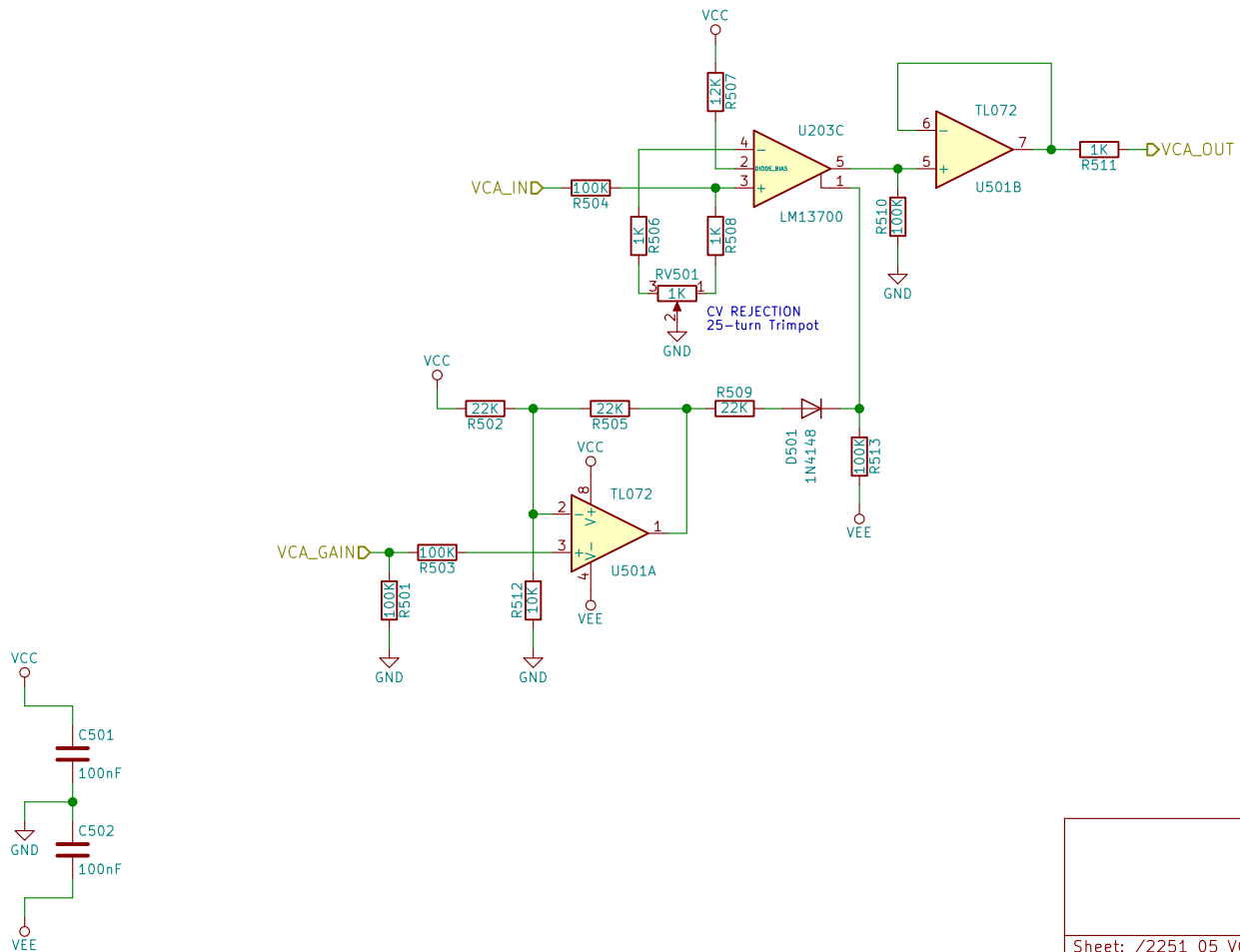
Size: A4

Date:

KiCad E.D.A. eeschema 5.0.1

Rev:

Id: 4/5



Sheet: /2251_05_VCA/
 File: 2251_05_VCA.sch

Title:

Size: A4
 KiCad E.D.A. eeschema 5.0.1

Date:
 Rev:
 Id: 5/5